

LeafBlaster PRO[®]

STAINLESS STEEL MICRO-MESH DROP-IN

Installation Guide

| | | |
|--------------------------|-----------------------------------------------------------------------------------------------------------------------------------------------------------|-----------------------------------------------------------------------------------------------------------|
| Recommended Tools | <ul style="list-style-type: none">• Tin Snips/Dremel• Gloves• Safety Glasses <p><i>*Optional: Circular (Chop) Saw</i></p> | <ul style="list-style-type: none">• Extension Ladder• Drill• Tape Measure |
|--------------------------|-----------------------------------------------------------------------------------------------------------------------------------------------------------|-----------------------------------------------------------------------------------------------------------|

Safety Is Our #1 Priority.

During installation we recommend that you...

- Wear gloves and safety glasses.
- Use an extension ladder and standoff for stability.
- Make all cuts and bends to the gutter guards on the ground.

ALSO MAKE SURE TO:

- Obey local building codes.
- Remove any labels/stickers from the gutter guard piece as needed.

FREEZING CONDITIONS

If you live in an area that is prone to freezing, the following issues can occur with any gutter guard:

Icicles & Ice Dams

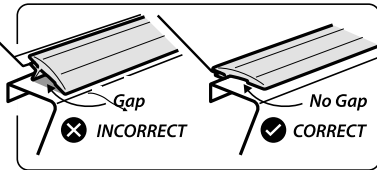
Icicles and ice dams may form on your gutter during freezing conditions. Ice dams can cause water to leak back into your home. Icicles can break and cause serious bodily harm and injury. Properly installed, operated and maintained heating elements on your roof and gutter can melt icicles and ice dams. Use a local licensed electrical contractor in good standing for installing any heating element products.

Snow Melting

Snow melt may result in water runoff from your roof which can refreeze on the ground below creating a potential slipping hazard.

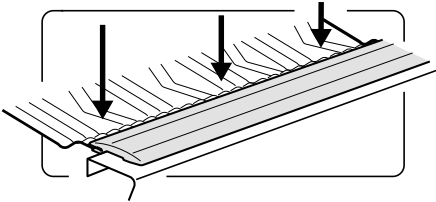
Important Reminders

Missing these steps can result in rainwater runoff.



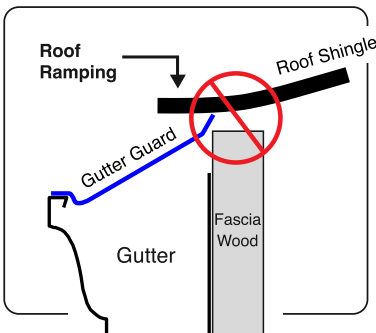
Remove The Gap

There should be no space between the front rail and the gutter lip when you install.



Create A Trough

Mesh trough should be at least 1/8" below gutter lip. Use fingers to push mesh trough down.



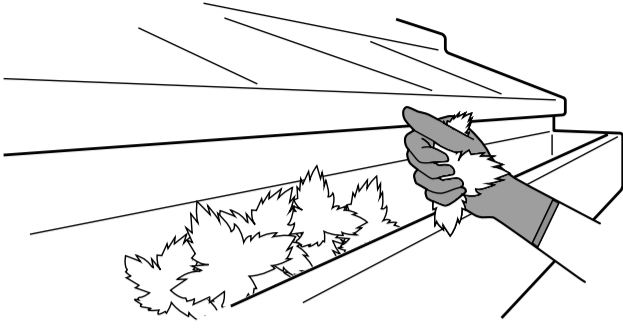
Avoid Roof Ramping

Shingles lifting upward will cause water to run over the gutter guard, instead of allowing water to flow onto and through the gutter guard.

Installation: Start Here

Step 1

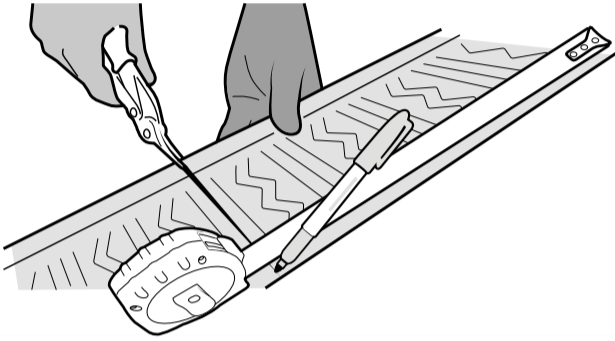
Clean And Repair Gutters



Step 2

Measure & Cut Gutter Guard As Needed

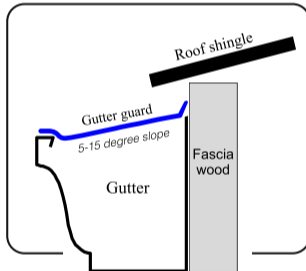
Use a pair of sharp tin snips to cut through the rail extrusion and stainless steel micro-mesh. When cutting the rail, it is important to use small cuts to break through the rail.



Step 3

Install With A Slope

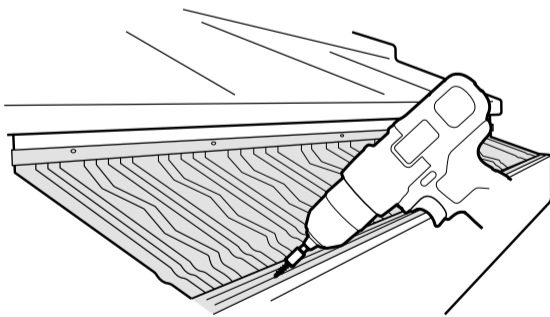
For optimal performance, install the gutter guard with a slope between 5-15°, or 1 to 3 pitch.



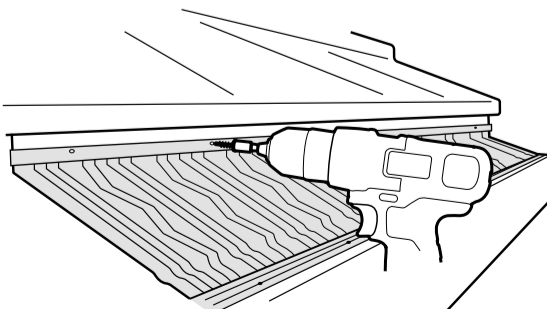
Step 4

Start Laying First Section

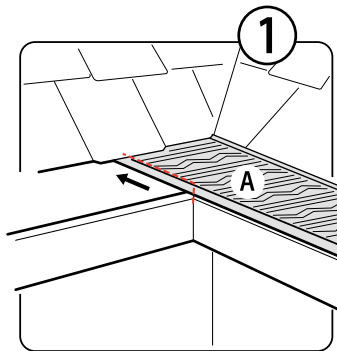
Using the scribe line as a guide for placement, fasten 3 of the provided 1/2" screws through the front rail into the front lip of the gutter.



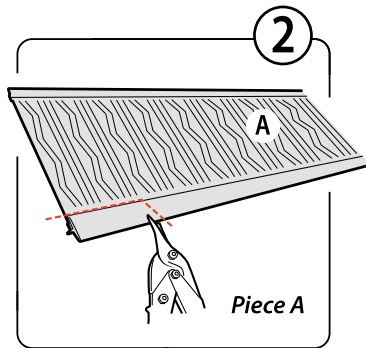
Using the screw holes on the rear rail, fasten 3-4 of the provided 1" screws through the rear rail into the fascia.



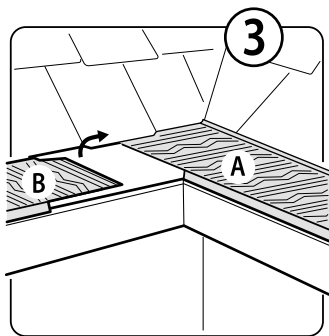
How-To: Inside Miters



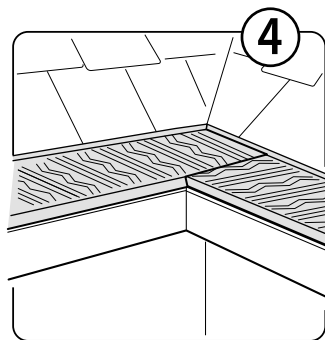
Slide piece A all the way into the inside corner of the gutter. Mark the gutter guard where it meets the corner.



Cut off the front rail from the corner to the back of the gutter. Make a 45° angle cut to the rail for a nice finished look.

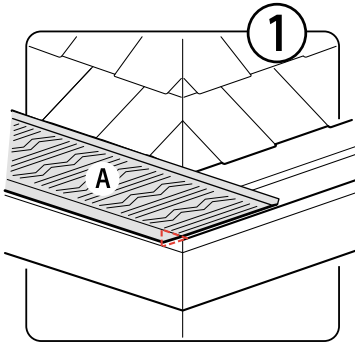


Repeat the process for the opposite section (Piece B) of the inside miter.

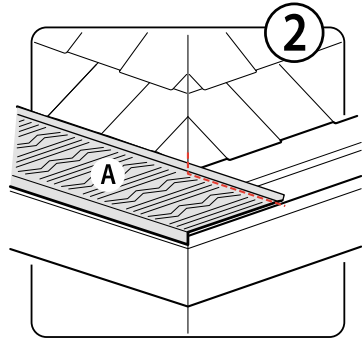


Allow the mesh of the two sections to overlap. If necessary, use a screw to pull the overlapping mesh together.

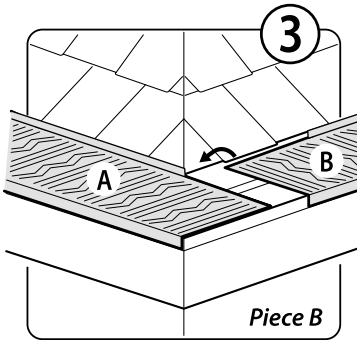
How-To: Outside Miters



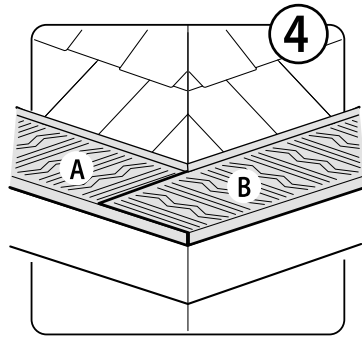
For a nice finished look, cut the front rail of the first section (Piece A) at a 45° angle where it sits on the corner.



Drop this section in place. Measure and cut off the rear rail where it extends over the gutter.

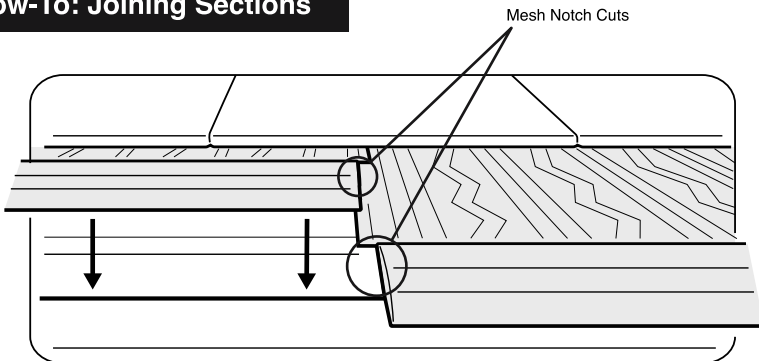


Repeat the process for the opposite section (Piece B) of the outside miter.



Allow the mesh of the two sections to overlap. If necessary, use a screw to pull the overlapping mesh together.

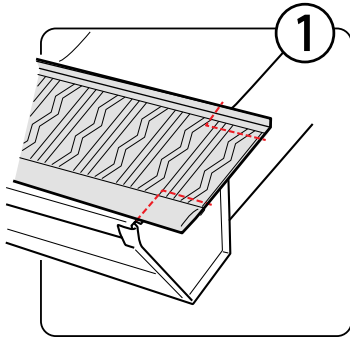
How-To: Joining Sections



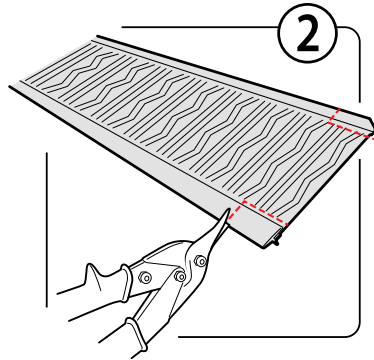
Lay one end of the mesh so it overlaps directly over the other section. For a tight connection where the front rails meet, we recommend cutting a small notch in the mesh.

Note: The rear rail has more exposed mesh than the front rail. This is intentional.

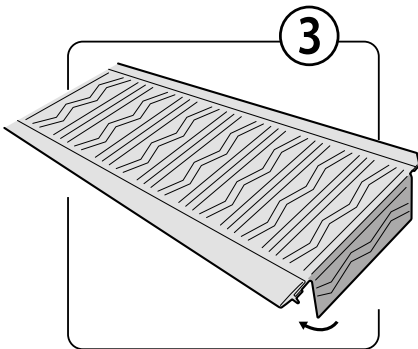
How-To: End Caps



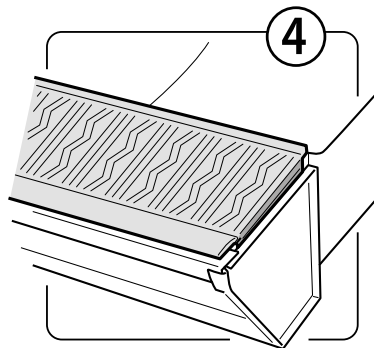
At the end of a stretch of gutter, mark on each aluminum rail where it meets the end of the gutter.



From the ground, trim back the aluminum rails where they are marked to expose the remaining mesh.



Bend and tuck the exposed mesh into the gutter. You can trim the mesh as needed to create a good covering.



Make sure the entire gutter end is sealed to prevent debris and pests from getting under the gutter guards.



Need More Help?

[CLICK HERE](#)

for Installation Videos
and More Information at

LeafBlasterPro.com/Drop-In-SS-Install-Guide



or Contact Our Support Team:

customerservice@gutterglove.com

886.483.8166

Monday-Friday 8am-7pm CST

COMPLETING THE JOB

LeafBlaster PRO[®]

Thanks for
Choosing
LeafBlaster Pro!

1

Clean up the
jobsite.

2

Ask for a great review
and a referral!

Submit your project or invoice for
rewards in the LeafBlaster Pro
Contractor Loyalty Program!

[JOIN NOW!](#)



SHARE YOUR GOOD WORK!